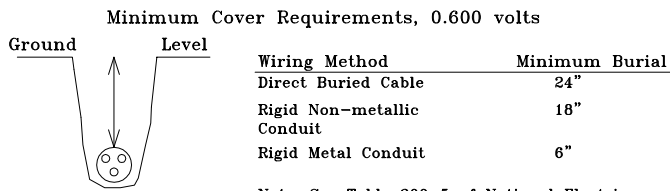
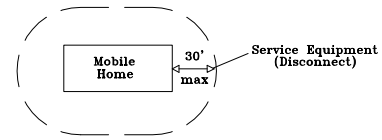


Guidelines for Mobile Home Service Requirements



Note: See Table 300-5 of National Electric Code for more detail and/or exceptions to the above.

Service Equipment Location



550-23(d) Location (from NEC) for mobile home service equipment shall be located in sight from and not more than 30 feet from exterior wall of the mobile home it serves.

MATERIALS FURNISHED BY CONSUMER

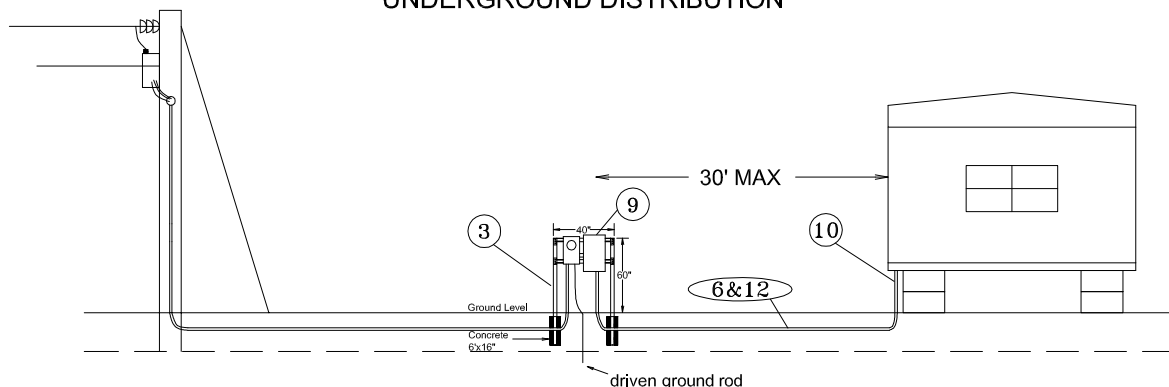
1. Distribution pole.
2. Intermediate pole(s). If number of intermediate poles exceeds two, an additional fused disconnect device may be necessary.
3. Pedestal (Treated wood or metal).
4. Overhead wire.
5. 3 conductor UF wire.
6. 4 conductor UF wire.
7. Disconnect means *complete with nipple, locknuts, bushing, and wiring.
8. Disconnect means *complete with riser, weatherhead, and wiring.
9. Disconnect means *complete with UF risers.
10. Conduit required for all exposed wiring above ground level except for factory equipped 4 wire cord with molded head plug.
11. Continuous conduit buried to specified depth.
12. Optional conduit buried to specific depth.

* Note: All disconnect means must be fuse or breaker type and weatherproof.

* Note: Customer disconnect must be mounted to right of meter base as shown below.



UNDERGROUND DISTRIBUTION



Rev. 1/15/09

G:\MAPPING\SPESCS\Foundation_UG\MobileHomeGuide.dwg