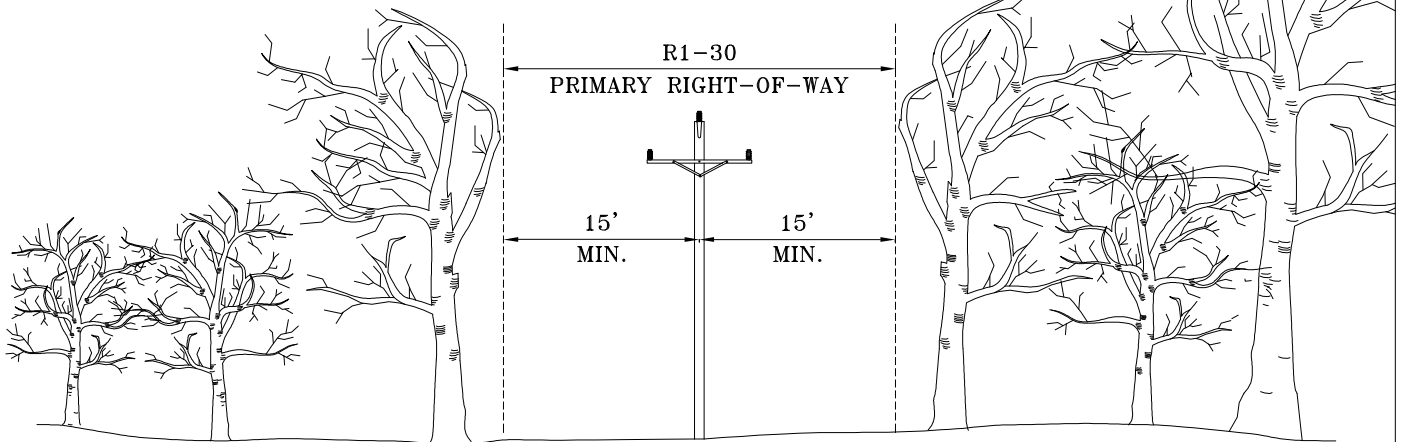
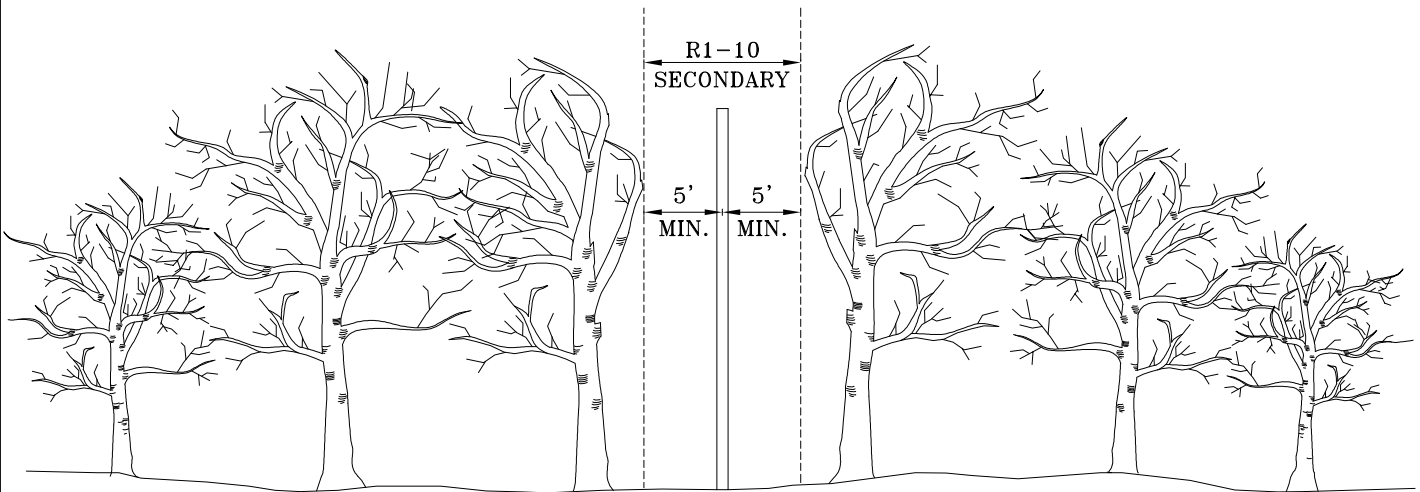


# EXHIBIT A



ELEVATION



ELEVATION

## CLEARING RIGHT-OF-WAY GUIDE

DRAWN  
NOV. 19, 1996

R1